

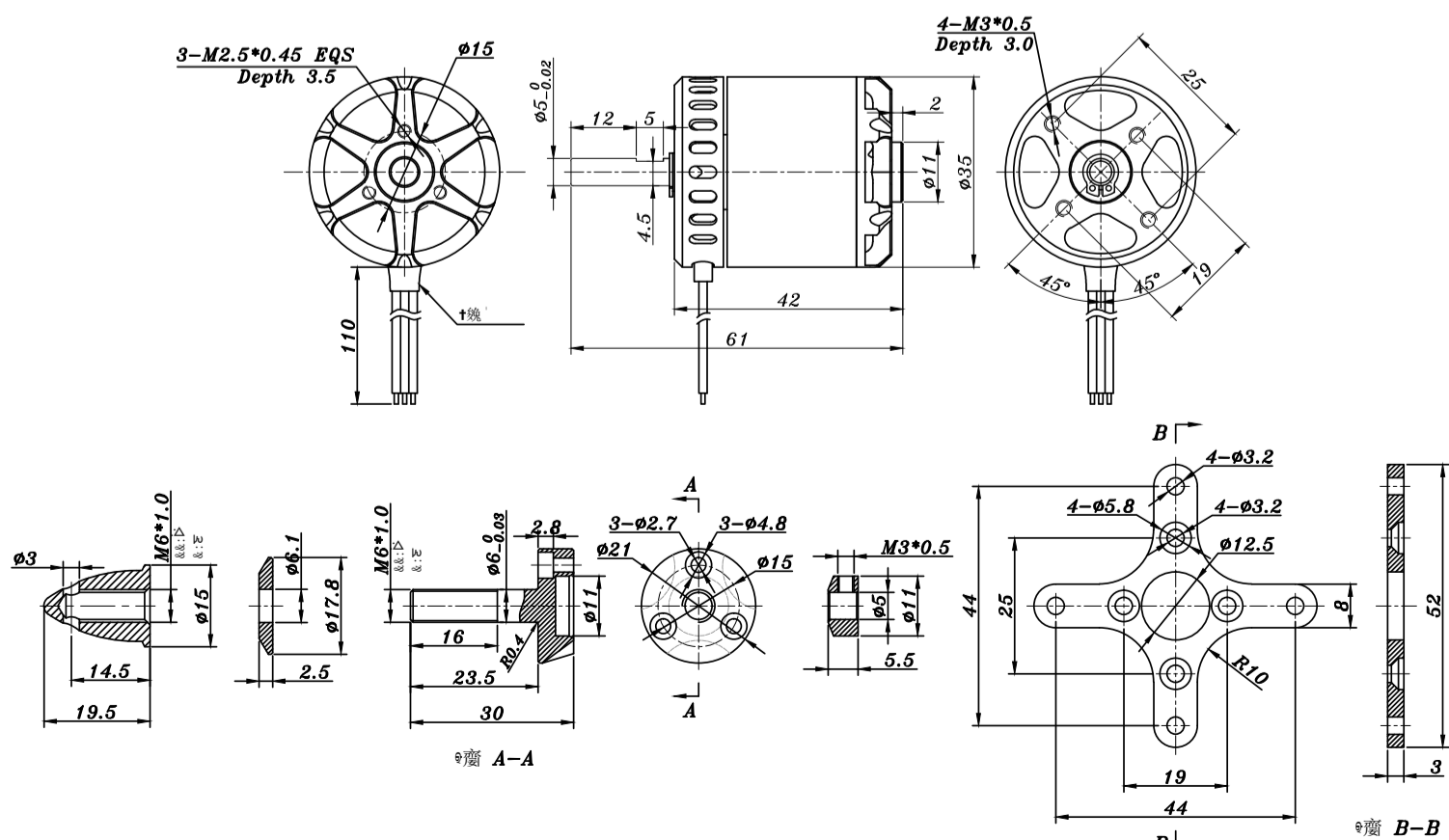
SUNNYSKY

Specifications	X2820 KV1000	
Stator Diameter	定子外径	28mm
Stator Thickness	定子厚度	20mm
No. of Stator Arms	定子槽数	12
No. of Rotor Poles	转子极数	14
Motor KV	电机KV值	1000
No-Load Current (A/10V)	空载电流	1.7A
Motor Resistance	电机电阻	18.5mΩ
Max Continuous Current	最大连续电流	70A/1min
Max Continuous Power	最大连续功率	1036W
Weight	重量	147g
Rotor Diameter	转子直径	35mm
Body Length	电机长度 (不含轴长)	42mm
Max Lipo Cell	支持锂电节数	3-4S
ESC	建议使用电调	60-80A
Recommended Prop(inch)	推荐螺旋桨规格	4S(APC11*5.5 APC11*8)
		3S(APC12*6 13*6.5)

AEROBATIC(适用特技机重量) 1400g-1900g (3S APC13x6.5\12x6\12x8) (4S APC11x5.5\APC11x7\APC11x8)

适用3D机重量 1100g-1500g (3S APC13x6.5、APC13x8)

Prop (inch)	Voltage (V)	Amps (A)	Thrust (gf)	Watts (W)	Efficiency (g/W)	RPM	Load temperature in 100% throttle 全油门负载温度
APC11*5.5	14.8	4.7	500	69.56	7.19	5252	66°C 10min
		7.8	750	115.44	6.50	6510	
		11.4	1000	168.72	5.93	7498	
		15.5	1250	229.4	5.45	8279	
		19.6	1500	290.08	5.17	9010	
		25.3	1750	374.44	4.67	9668	
		30.5	2000	451.4	4.43	10247	
		35.9	2250	531.32	4.23	10896	
		42.8	2500	633.44	3.95	11310	
		53.4	2989	790.32	3.78	12300	
APC11*8	14.8	4.8	500	71.04	7.04	4700	69°C 10min
		8.75	750	129.5	5.79	5788	
		12.7	1000	187.96	5.32	6637	
		17.1	1250	253.08	4.94	7490	
		22.9	1500	338.92	4.43	8058	
		28.6	1750	423.28	4.13	8720	
		35.2	2000	520.96	3.84	9302	
		43.4	2250	642.32	3.50	9733	
		68.8	2760	1018.24	2.71	10950	
APC12*6	11.1	5.6	500	62.16	8.04	4520	61°C 10min
		9.5	750	105.45	7.11	5440	
		13.8	1000	153.18	6.53	6280	
		18.7	1250	207.57	6.02	7023	
		24.4	1500	270.84	5.54	7613	
		30.8	1750	341.88	5.12	8216	
		38.1	2000	422.91	4.73	8760	
		45.3	2290	502.83	4.55	9200	



X2820