

Specifications	X2820 KV1100		
Stator Diameter	定子外径	28mm	
Stator Thickness	定子厚度	20mm	
No. of Stator Arms	定子槽数	12	
No. of Rotor Poles	转子极数	14	
Motor Kv	电机KV值	1100	
No-Load Current (A/10V)	空载电流	1.3A	
Motor Resistance	电机电阻	19mΩ	
Max Continuous Current	最大连续电流	60A/15S	
Max Continuous Power	最大连续功率	880W	
Weight	重量 (含长线)	138g	
Rotor Diameter	转子直径	35mm	
Shaft Diameter	出轴直径	5mm	
Body Length	电机长度	42mm	
Overall Shaft Length	电机含轴总长度	61mm	
Max Lipo Cell	最大电池节数	3-5S	
ESC	建议使用电调	60A	
Recommended Prop(inch)	推荐螺旋桨规格	APC11x5.5	APC12x6
		APC11x7	APC9060
		APC1050	APC11x8

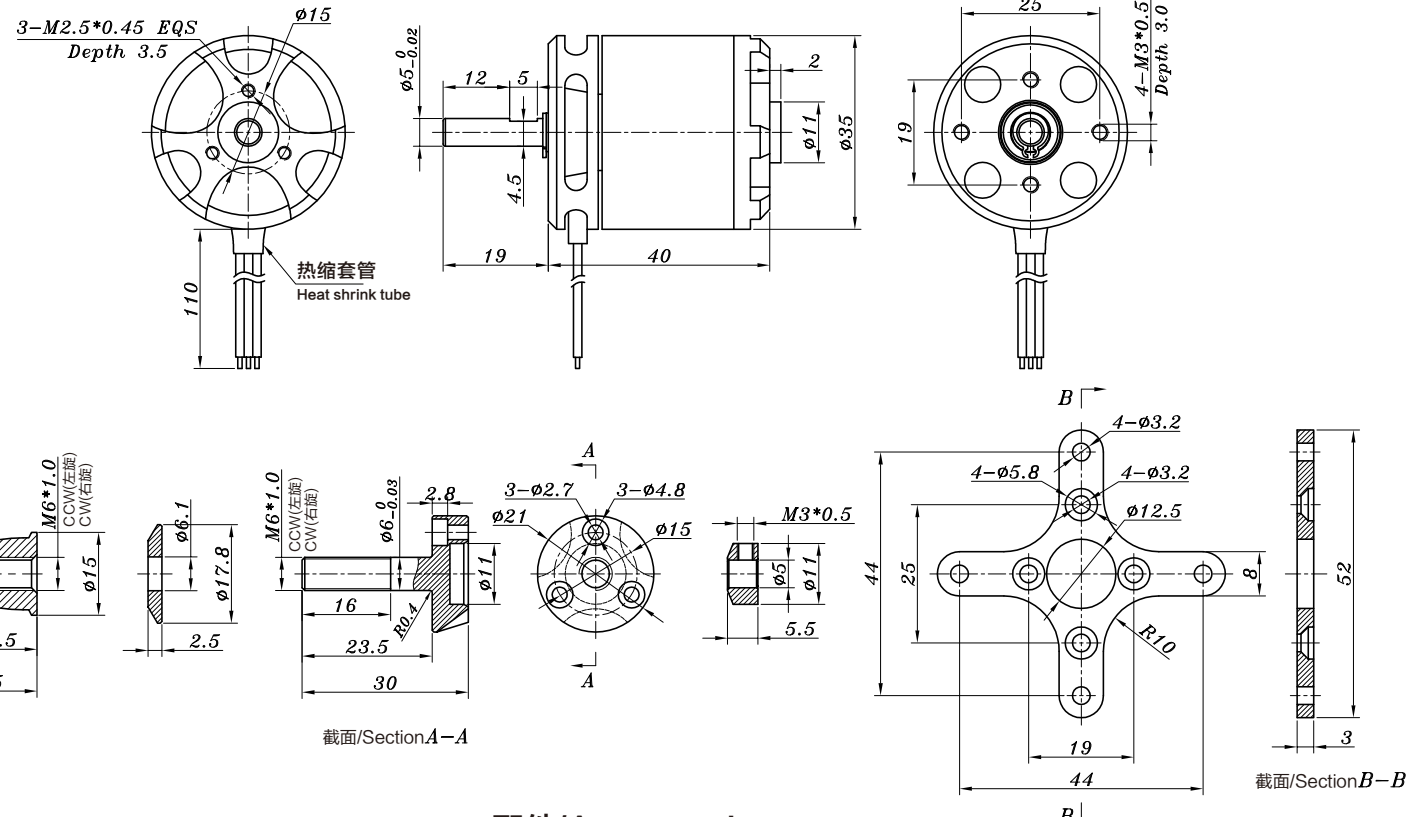
AEROBATIC(适用特技机重量) 1500g (3S APC11x5.5\11x7\11x8) (4S APC1050\APC9060)

适用3D机重量 1200g (3S APC11x5.5、APC12x6)

SAILPLANE (适用滑翔机重量)1800g 3S APC11x5.5

Prop (inch)	Volts (V)	Amps (A)	Thrust (gf)	Watts (W)	Efficiency (g/W)	Load temperature in 100% throttle 全油门负载温度
APC11x5.5	11.1	5.8	500	64.38	7.766387077	73°
		9.8	750	108.78	6.894649752	
		14.3	1000	158.73	6.3000063	
		19.3	1250	214.23	5.834850394	
		24.8	1500	275.28	5.448997384	
		31.2	1750	346.32	5.053130053	
	14.8	38	2000	421.8	4.741583689	
		4.7	500	69.56	7.188039103	
		7.6	750	112.48	6.667852063	
		11.5	1000	170.2	5.875440658	
		15.7	1250	232.36	5.379583405	
		20.3	1500	300.44	4.992677406	
		25.4	1750	375.92	4.655245797	
		30.8	2000	455.84	4.387504388	
APC11x7	11.1	35.9	2250	531.32	4.234736129	52°
		42	2500	621.6	4.021879022	
		60	3060	888	3.445945946	
		6	500	66.6	7.507507508	
		10.5	750	116.55	6.435006435	
		15.4	1000	170.94	5.85000585	
		21.1	1250	234.21	5.337090645	
APC11x8	11.1	27.2	1500	301.92	4.968203498	55°
		33.4	1750	370.74	4.720289151	
		44	2100	488.4	4.2997543	
		6.6	500	73.26	6.825006825	
		11.2	750	124.32	6.032818533	
		16.4	1000	182.04	5.493298176	
		22.3	1250	247.53	5.049892942	
APC12x6	11.1	29.8	1500	330.78	4.534736078	55°
		36.4	1750	404.04	4.331254331	
		48	2100	532.8	3.941441441	
		5.5	500	61.05	8.19000819	
		9.4	750	104.34	7.188039103	
		13.6	1000	150.96	6.62427133	
		18.2	1250	202.02	6.187506188	
		24.1	1500	267.51	5.607267018	
		29.7	1750	329.67	5.308338642	
APC1050	14.8	37	2000	410.7	4.869734599	67°
		44.4	2250	492.84	4.565376187	
		48	2400	532.8	4.504504505	
		5	500	74	6.756756757	
		8.6	750	127.28	5.892520427	
		12.3	1000	182.04	5.493298176	
		16.6	1205	245.68	4.904754152	
		21.4	1500	316.72	4.736044456	
		27.9	1750	412.92	4.238109077	
		32.8	2000	485.44	4.119973632	
		37.8	2250	559.44	4.021879022	
APC9060	14.8	44.8	2500	663.04	3.770511583	62°
		46.8	2580	692.64	3.724878725	
		5.8	500	85.84	5.824790308	
		9.9	750	146.52	5.118755119	
		14.9	1000	220.52	4.534736078	
		20.2	1250	298.96	4.181161359	
		28.2	1500	417.36	3.594019551	

Notes: The test condition of temperature is motor surface temperature in 100% throttle while the motor run 10 min.



配件/Accessories