

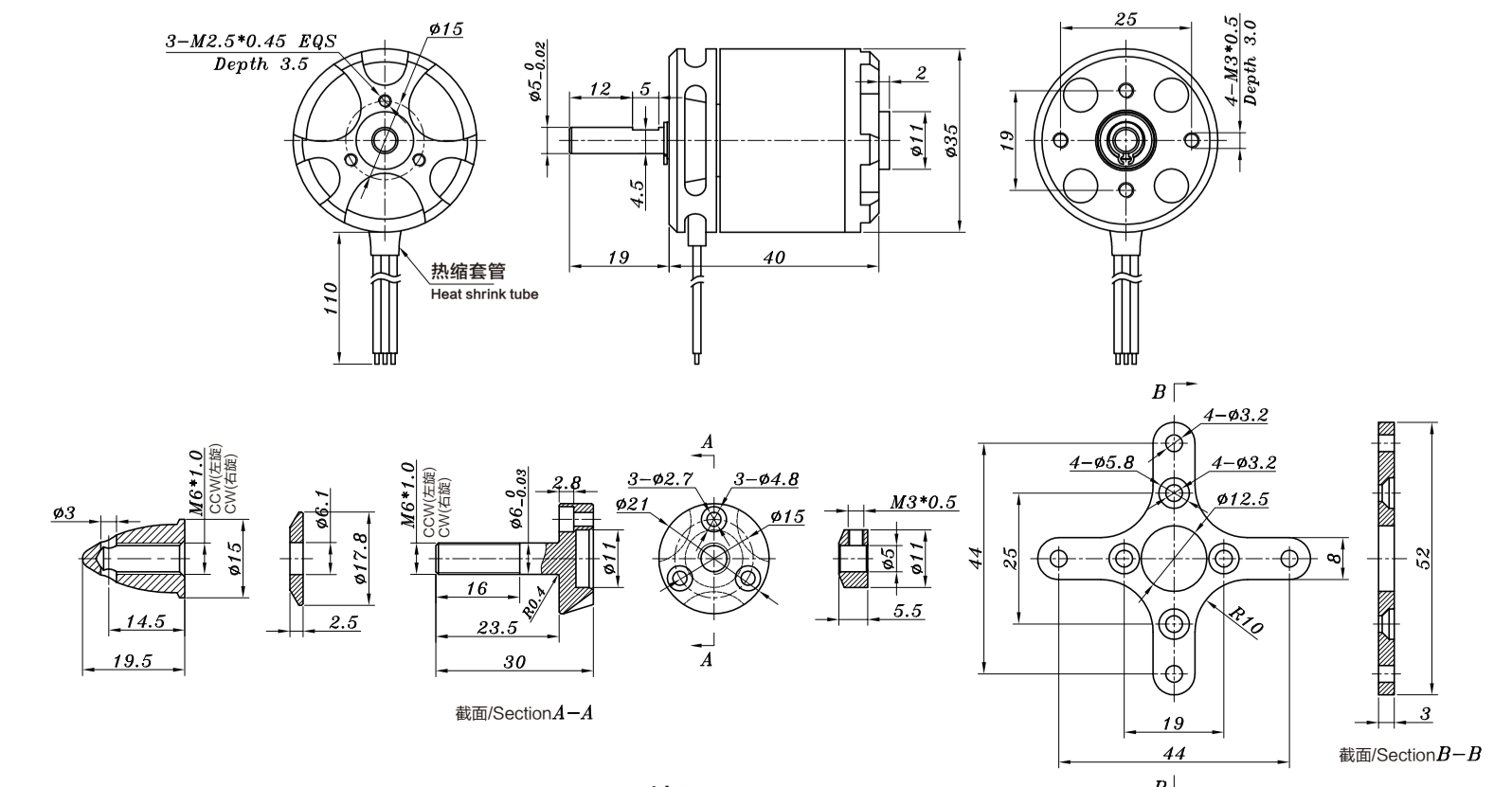
Specifications	X2820 KV920		
Stator Diameter	定子外径	28mm	
Stator Thickness	定子厚度	20mm	
No. of Stator Arms	定子槽数	12	
No. of Rotor Poles	转子极数	14	
Motor Kv	电机KV值	920	
No-Load Current (A/10V)	空载电流	1.1A	
Motor Resistance	电机电阻	28mΩ	
Max Continuous Current	最大连续电流	52A/30S	
Max Continuous Power	最大连续功率	750W	
Weight	重量 (含长线)	138g	
Rotor Diameter	转子直径	35mm	
Shaft Diameter	出轴直径	5mm	
Body Length	电机长度	42mm	
Overall Shaft Length	电机含轴总长度	61mm	
Max Lipo Cell	最大电池节数	3-5S	
ESC	建议使用电调	60A	
Recommended Prop(inch)	推荐螺旋桨规格	APC13x6.5	APC12x6
		APC11x5.5	APC11x7
		APC12x8	APC11x8

AEROBATIC(适用特技机重量) 1400g-1700g (3S APC13x6.5\12x6\12x8) (4S APC11x5.5\APC11x7\APC11x8)

适用3D机重量 1100g-1400g (3S APC13x6.5、APC13x8)

Prop (inch)	Volts (V)	Amps (A)	Thrust (gf)	Watts (W)	Efficiency (g/W)	Load temperature in 100% throttle 全油门负载温度	
<b>APC13x6.5</b>	11.1	5	500	55.5	9.009009009	50°	
		8.9	750	98.79	7.591861524		
		12.9	1000	143.19	6.983727914		
		17.5	1250	194.25	6.435006435		
		23	1500	255.3	5.875440658		
		28.4	1750	315.24	5.551325974		
		37.3	2130	414.03	5.144554742		
<b>APC12x6</b>	11.1	5.5	500	61.05	8.19000819	58°	
		9.3	750	103.23	7.265329846		
		13.9	1000	154.29	6.481301445		
		18.3	1250	203.13	6.153694678		
		24	1500	266.4	5.630630631		
		29.8	1780	330.78	5.381220146		
	14.8	4.2	500	62.16	8.043758044		58°
		7.3	750	108.04	6.94187338		
		10.8	1000	159.84	6.256256256		
		14.7	1250	217.56	5.74554146		
		19.1	1500	282.68	5.306353474		
		23.9	1750	353.72	4.947416035		
		29.3	2000	433.64	4.612120653		
		33.9	2250	501.72	4.484573069		
<b>APC12x8</b>	11.1	5.8	500	64.38	7.766387077	47°	
		10	750	111	6.756756757		
		14.9	1000	165.39	6.046314771		
		20	1250	222	5.630630631		
		26.1	1500	289.71	5.177591384		
		32.5	1750	360.75	4.851004851		
		35.8	1880	397.38	4.730987971		
<b>APC13x8</b>	11.1	5.4	500	59.94	8.341675008	53°	
		9.3	750	103.23	7.265329846		
		13.7	1000	152.07	6.575918985		
		18.6	1250	206.46	6.054441538		
		24.1	1500	267.51	5.607267018		
		30.4	1750	337.44	5.18610716		
		36.5	2000	405.15	4.936443293		
<b>APC11x5.5</b>	14.8	4.5	500	66.6	7.507507508	49°	
		7.9	750	116.92	6.414642491		
		11.6	1000	171.68	5.824790308		
		15.5	1250	229.4	5.448997384		
		20	1500	296	5.067567568		
		24.6	1750	364.08	4.806635904		
		30.1	2000	445.48	4.489539373		
		35.9	2250	531.32	4.234736129		
		37.3	2360	552.04	4.275052532		
<b>APC11x7</b>	14.8	4.7	500	69.56	7.188039103	55°	
		8.2	750	121.36	6.179960448		
		12.3	1000	182.04	5.493298176		
		16.8	1250	248.64	5.027348777		
		21.7	1500	321.16	4.670569187		
		26.5	1750	392.2	4.462009179		
		33.1	2000	489.88	4.082632481		
		39.4	2250	583.12	3.858553985		
		45	2540	666	3.813813814		
<b>APC11x8</b>	14.8	5.1	500	75.48	6.62427133	58°	
		8.6	750	127.28	5.892520427		
		13	1000	192.4	5.197505198		
		17.7	1250	261.96	4.771720873		
		23.2	1500	343.36	4.368592731		
		28.3	1750	418.84	4.178206475		
		35	2000	518	3.861003861		
		42.3	2250	626.04	3.594019551		
		48	2500	710.4	3.519144144		

Notes: The test condition of temperature is motor surface temperature in 100% throttle while the motor run 10 min.



配件/Accessories