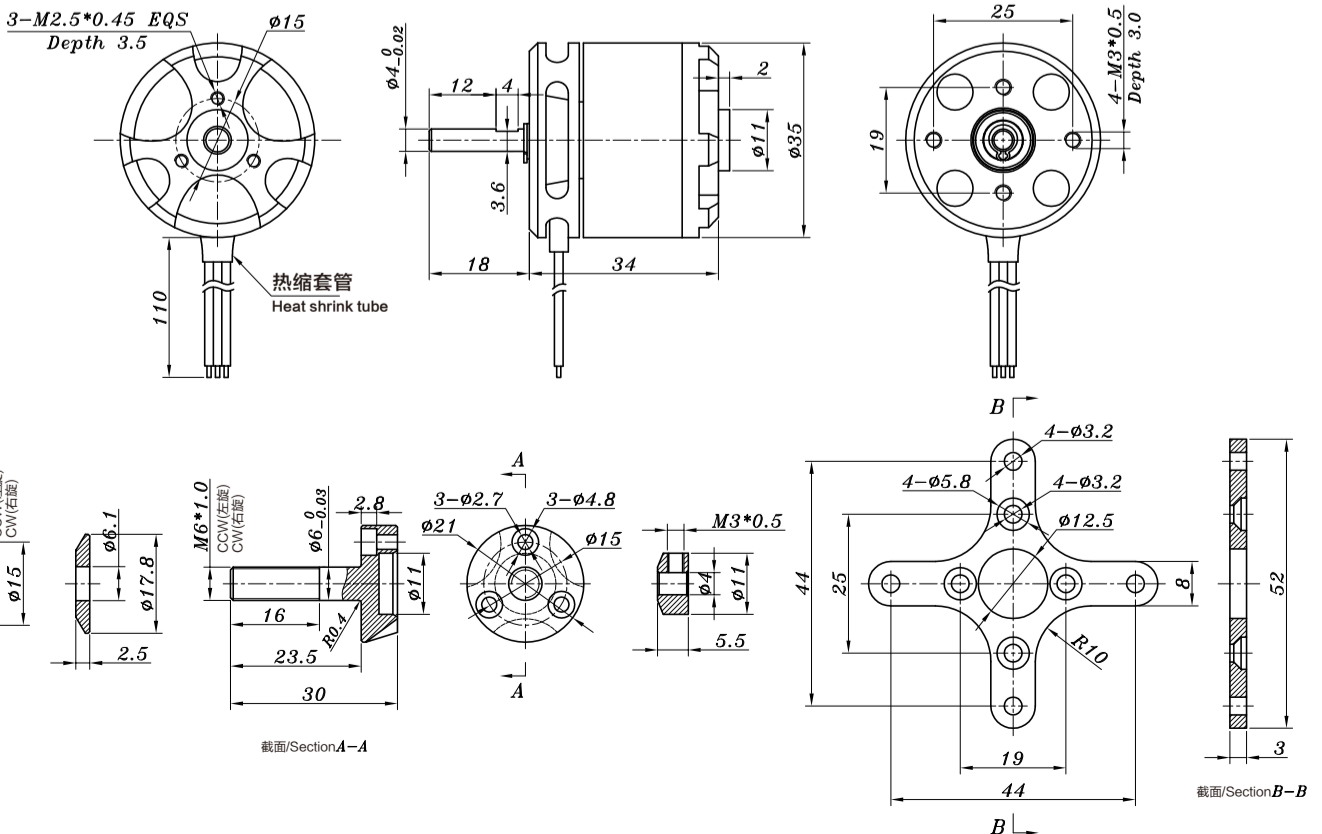


Specifications	X2814 KV1250		
Stator Diameter	定子外径	28mm	
Stator Thickness	定子厚度	14mm	
No. of Stator Arms	定子槽数	12	
No. of Rotor Poles	转子极数	14	
Motor Kv	电机KV值	1250	
No-Load Current (A/10V)	空载电流	2.1A	
Motor Resistance	电机电阻	25mΩ	
Max Continuous Current	最大连续电流	55A/15S	
Max Continuous Power	最大连续功率	880W	
Weight	重量 (含长线)	108g	
Rotor Diameter	转子直径	35mm	
Shaft Diameter	出轴直径	4mm	
Body Length	电机长度	36mm	
Overall Shaft Length	电机含轴总长度	54mm	
Max Lipo Cell	最大电池节数	3-4S	
ESC	建议使用电调	70A	
Recommended Prop(inch)	推荐螺旋桨规格	APC9060	APC8060

AEROBATIC(适用特技机重量) 1000g-1300g (4S APC9060\APC8060)

Prop (inch)	Volts (V)	Amps (A)	Thrust (gf)	Watts (W)	Efficiency (g/W)	Load temperature in 100% throttle 全油门负载温度
APC8060	14.8	8	500	118.4	4.222972973	60°
		13.9	750	205.72	3.645732063	
		21.2	1000	313.76	3.187149414	
		29.2	1250	432.16	2.892447242	
		39.3	1500	581.64	2.578914793	
		49.7	1770	735.56	2.406329871	
APC9060		6.4	500	94.72	5.278716216	72°
		11	750	162.8	4.606879607	
		16.7	1000	247.16	4.04596213	
		22.7	1250	335.96	3.720681033	
		28.9	1500	427.72	3.506967175	
		36.3	1750	537.24	3.257389621	
45.8	2000	677.84	2.950548802			
59.8	2360	885.04	2.666546145			

Notes: The test condition of temperature is motor surface temperature in 100% throttle while the motor run 10 min.



配件/Accessories